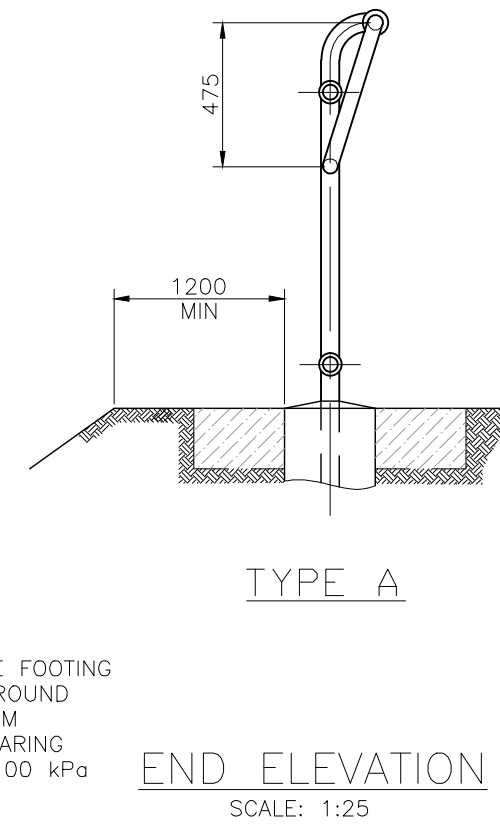
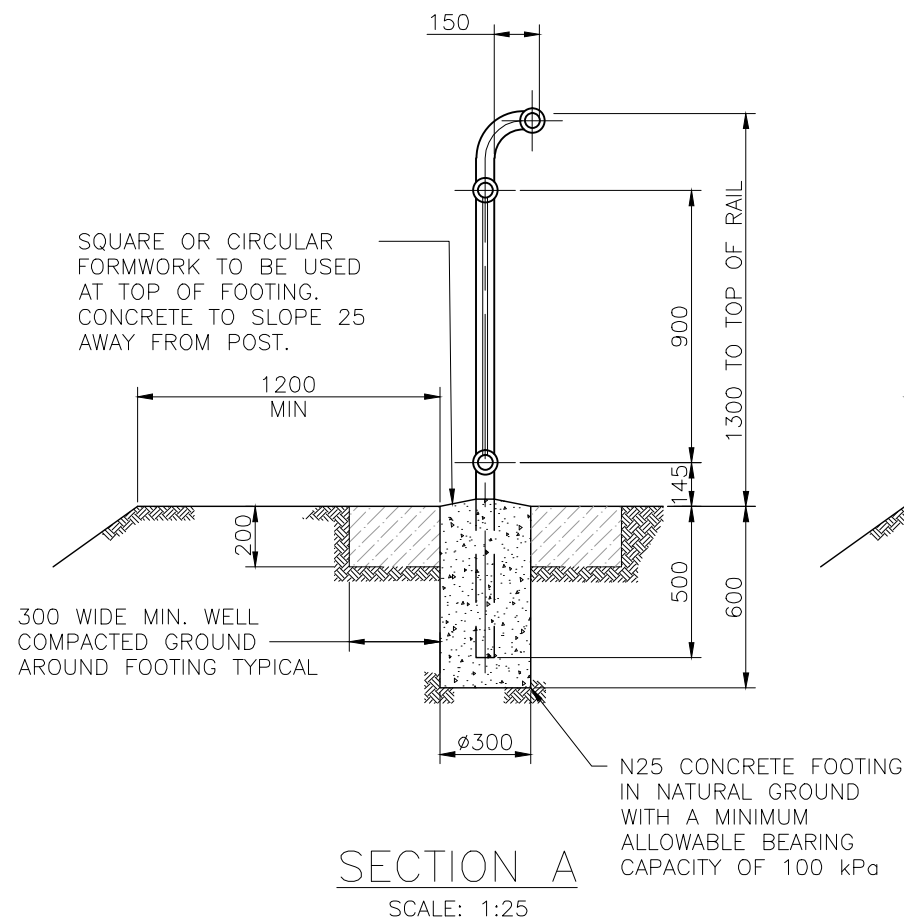


ELEVATION TYPE A (FALL HEIGHT \geq 1000)
SCALE: 1:25



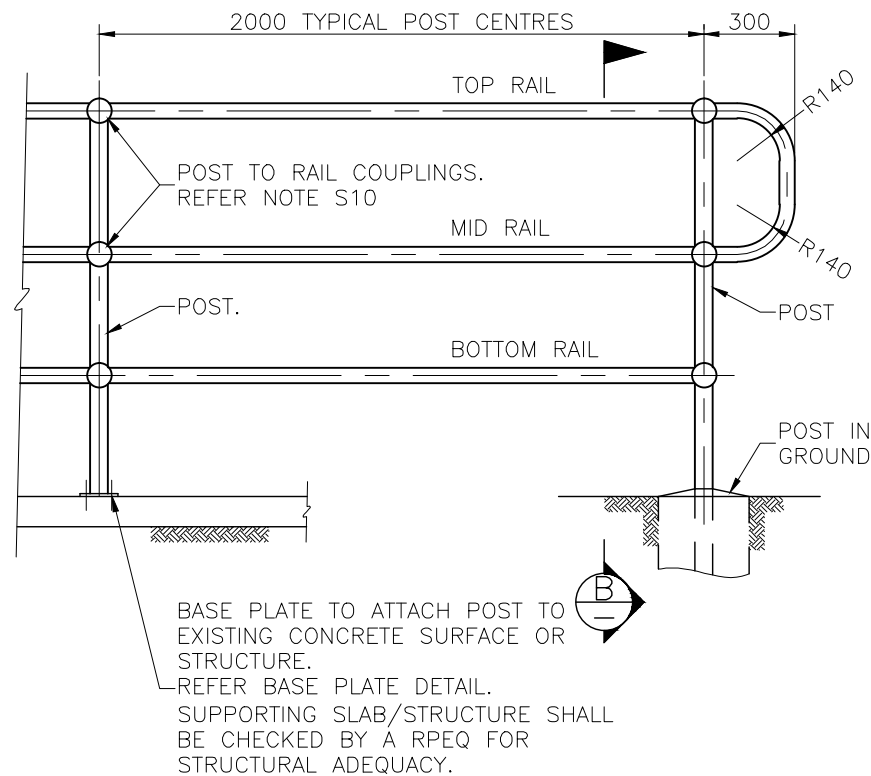
NOTES:

- REFER DRAWING BSD-7006-2 FOR DRAWING NOTES AND STANDARD DETAILS

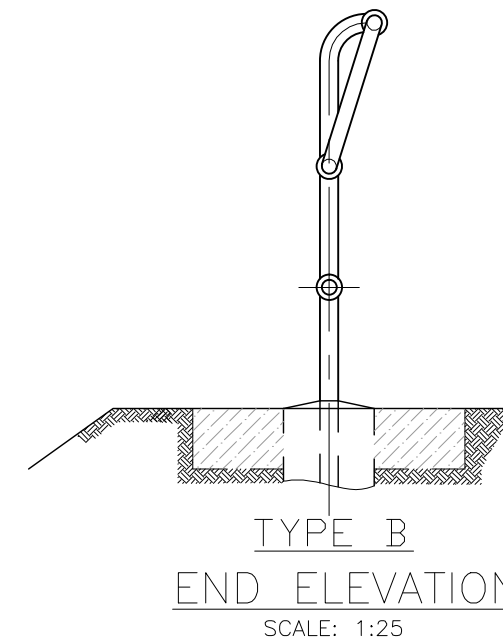
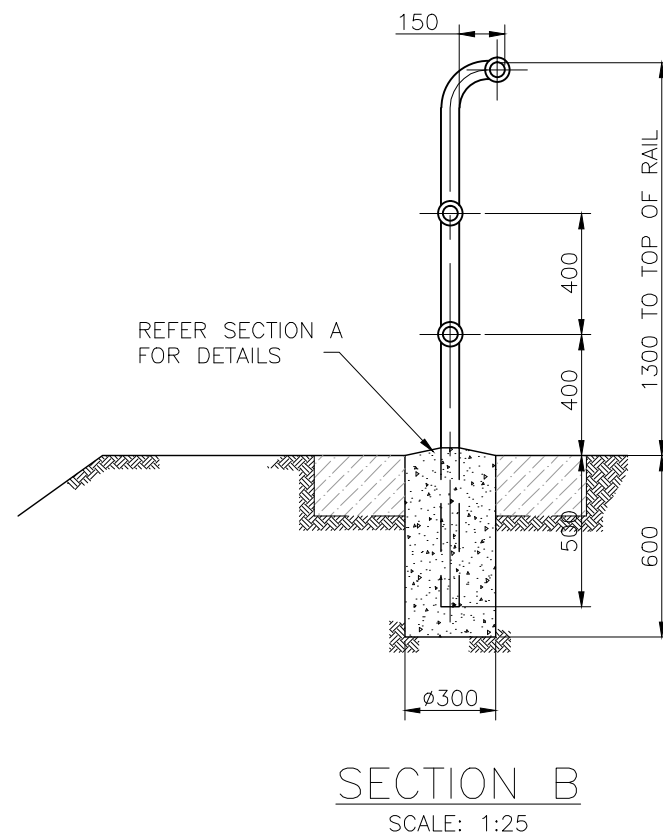
ATTENTION:

BICYCLE FRIENDLY TUBULAR HANDRAILS TO BE USED ONLY IN SITUATIONS CLEAR OF LONGITUDINAL VEHICLE IMPACT SO AS TO AVOID A POTENTIAL SPEARING HAZARD TO MOTORISTS. THESE HANDRAILS ARE INTENDED AS A BIKE BARRIER AND ARE NOT TO BE USED IN SITUATIONS WHERE MOTOR VEHICLES/ CROWDS/ PEOPLE UNDER PANIC CONDITIONS REQUIRE RESTRAINT.

MEMBER SCHEDULE	
ELEMENT	MEMBER
POSTS	60.3x5.4 CHS
TOP RAIL	60.3x3.6 CHS
MID RAIL	48.3x3.2 CHS
BOTTOM RAIL	48.3x3.2 CHS



ELEVATION TYPE B (FALL HEIGHT < 1000)
SCALE: 1:25



STRUCTURAL DESIGN CERTIFICATION		
DESIGN	DESIGN CHECK	AUTHORISED FOR ISSUE
Lenita Mendis RPEQ 8950 2015.03.09 10:00:50 +10'00'	Valentine Figurado RPEQ 09152 2015.03.09 10:02:44+10'00'	Bala Balakumar RPEQ 3963 2015.06.05 14:25:39+10'00'

ISSUE	AMENDMENT	DRAWN DATE	CHK'D DATE	APPR'D DATE
C	Drawing Title Amended	FEB '16	JUL '16	JUL '16
B	Type A handrail added	FEB '15	FEB '15	FEB '15
A	Drawing Converted from UMS Series April 2014	APR '14	APR '14	APR '14

DRAWING AUTHORISED FOR PUBLICATION P. COTTON SIGNATURE ON ORIGINAL DATED 24/09/09 R.P.E.Q. 2546				DESIGN	CITY DESIGN	DATE	2005
ASSET ENGINEERING MANAGER STRATEGIC ASSET MANAGEMENT				DRAWN	CITY ASSETS (DL)	DATE	FEB '09
DESIGN APPROVED				CHECKED	CITY ASSETS	DATE	SEPT '09
I. CONDORIC SIGNATURE ON ORIGINAL DATED 18/09/09 R.P.E.Q. 8951				DRAWING FILENAME	BSD-7006 (C) Bicycle friendly galvanised tubular handrail Sheet 1 of 2.dwg		
PRINCIPAL ENGINEER STRATEGIC ASSET MANAGEMENT				ASSOCIATED PLANS	SUPERSEDES UMS-249		



BRISBANE CITY COUNCIL STANDARD DRAWING	
BICYCLE FRIENDLY GALVANISED TUBULAR HANDRAIL SHEET 1 OF 2	
SCALE	NOT TO SCALE
DWG No.	BSD-7006
ORIGINAL SIZE	A3
REVISION	C